



SPD-1000

1/4" High Resolution, Interior 10X PTZ Camera



Overview

The SPD-1000 is an indoor variable speed PTZ camera system that is powerful yet economical. It provides 10X zoom capability with a rich set of system features that make it the right choice for a wide variety of indoor applications including : department stores, office buildings and schools.



CAMERA

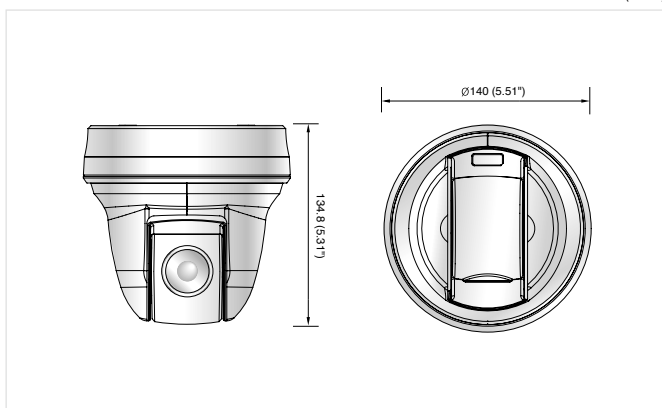


Features

- 1/4" Interline transfer color CCD
- Powerful 10X optical zoom and 10X digital zoom
- SSNR digital noise reduction saves DVR storage space
- Day & Night with ICR (Infrared Cutoff Removal)
- High resolution of 520TV lines (Color), 570TV lines (B/W)
- Min. illumination of 0.7Lux@F1.8 (Color)
0.02Lux@F1.8 (B/W)
0.005Lux@F1.8 (Color sens-up)
- Privacy masking with 4 programmable zones
- Multiple protocol support
- Simple installation
- 128 Programmable preset positions
- Automatic scene tour functions
- Motion detection
- RS-485 remote setup control
- Multi-language OSD
- S/N ratio of 50dB
- Voltage : 12V DC
- Included power supply : 12V DC, 4A

Dimensions

Unit : mm (inch)



Technical Specifications

	SPD-1000N	SPD-1000P
ELECTRICAL		
Included Input	100V AC ~ 240V AC (50/60HZ)	
Power Supply Output	12V DC, 4A	
Power Consumption	Max. 6W	
VIDEO		
Imaging Device	1/4" Interline transfer CCD	
Total Pixels	811(H) x 508(V)	795(H) x 596(V)
Effective Pixels	768(H) x 494(V)	752(H) x 582(V)
Scanning System	2 : 1 Interlace	
Synchronization	Internal	
Frequency	H : 15.734KHz / V : 59.94Hz	H : 15.625KHz / V : 50Hz
Horizontal Resolution	Color : 520TV lines (Min.) / B/W : 570TV lines (Min.)	
Min. Illumination	Color : 0.7Lux (50 IRE@F1.8), 0.005Lux (Sens-up, 128X) B/W : 0.02Lux (50 IRE@F1.8)	
S / N (Y signal)	50dB	
Video Output	CVBS : 1.0Vp-p / 75	
LENS		
Zoom Ratio	10X (Optical), 10X (Digital)	
Focal Length	3.8 ~ 38mm (F1.8)	
Max. Aperture Ratio	1 : 1.6(Wide) ~ 2.8(Tele)	
Min. Object Distance	1.5m (4.92ft)	
Angular Field of View	H : 51.2°(Wide) ~ 5.58°(Tele) / V : 39.3°(Wide) ~ 4.27°(Tele)	
Focus	Auto / Manual / One-push	
Zoom Movement Speed	1.67sec	
Iris Control	Auto / Manual	
PAN / TILT		
Pan Range	350°	
Pan Speed	Preset : 140°/sec / Manual : 0.5° ~ 70°/sec	
Tilt Range	-5° ~ 185°	
Tilt Speed	Preset : 100°/sec / Manual : 0.5° ~ 50°/sec	
Preset Positions	128	
Preset Accuracy	±1.0°	
PTZ Mode	Preset, Swing, Group, Tour, Trace, A. Pan	
OPERATIONAL		
On Screen Display	Built-in	
Camera Title	On / Off	
ID (Camera Address)	1 ~ 253	
Day & Night	Auto (ICR) / Color / B/W	
Backlight Compensation	On / Off	
Motion Detection	On / Off	
Privacy Masking	On / Off (4 Programmable zones)	
Noise Filter (SSNR)	Low / Medium / High / Off	
Sens-up (Frame Integration)	Auto / Off (Selectable limit ~ 128X)	
Gain Control	Low / Medium / High / Off	
White Balance	ATW / AWC / Manual / Indoor / Outdoor	
Electronic Shutter Speed Communication	Auto (NTSC : 1/60 ~ 1/120,000sec, PAL : 1/50 ~ 1/120,000) / Manual / A.FLK	
Protocol	RS-485	
Alarm	Samsung Techwin, Palco-D, Palco-P, Panasonic, Honeywell, AD, Vicon, Samsung Electronics, Bosch, Sungin	
Auto Digital Flip	On / Off	
ENVIRONMENTAL		
Operating Temperature / Humidity	-10°C ~ +50°C / 20% ~ 80% RH	
Storage Temperature / Humidity	-20°C ~ +60°C / 20% ~ 95% RH	
MECHANICAL		
Dimension (WxH)	Ø140 x 134.8mm (Ø5.51" x 5.31")	
Weight	0.8Kg (1.76 lb)	
Ingress Protection	IP67 (Optional housing)	
Certifications	FCC (Class A)	CE (Class A)